



RFB3081
RFB3101
RFB3121
RFB3082
RFB3102
RFB3122

INSTALLATION &
OPERATION



PUNCH

WOOFER ENCLOSURES

Installation et fonctionnement

Instalación y operación

Einbau und Betrieb

Installazione e funzionamento

INSTALLATION – ENGLISH

⚠ CAUTION: Before installation, disconnect the battery negative (-) terminal to prevent damage to the unit, fire and/or possible injury.

Run the speaker cable from the amp. When routing the speaker cable from the amplifier, avoid running it close to any sources of high current (wiring harnesses). The positive (+) speaker output from the amp connects to the red terminal of the enclosure, and the negative (-) connects to the black terminal.

INSTALLATION – FRANÇAIS

⚠ MISE EN GARDE : avant d'entamer l'installation, déconnectez la broche négative (-) de la batterie pour éviter tout risque de blessures, d'incendie ou de dommages à l'appareil.

Branchement du câble du haut-parleur de l'amplificateur. En plaçant le câble du haut-parleur de l'ampli, évitez de l'approcher d'une source de courant important. La sortie positive de l'ampli se branche sur le terminal rouge du caisson, et le négatif se branche sur le terminal noir.

INSTALACIÓN – ESPAÑOL

⚠ PRECAUCIÓN: Antes de la instalación, desconecte el terminal negativo de la batería (-) para prevenir daño a la unidad, incendio y/o posibles lesiones.

Recorrido del Cable de Altavoz Desde el Amplificador. Al llevar el cable de altavoz desde el amplificador, evite que pase cerca de cualquier fuente de alto corriente (cables de alimentación). El terminal positivo (+) de las salida de rojo, y el terminal negativo (-) al terminal negro.

INSTALLATION – DEUTSCH

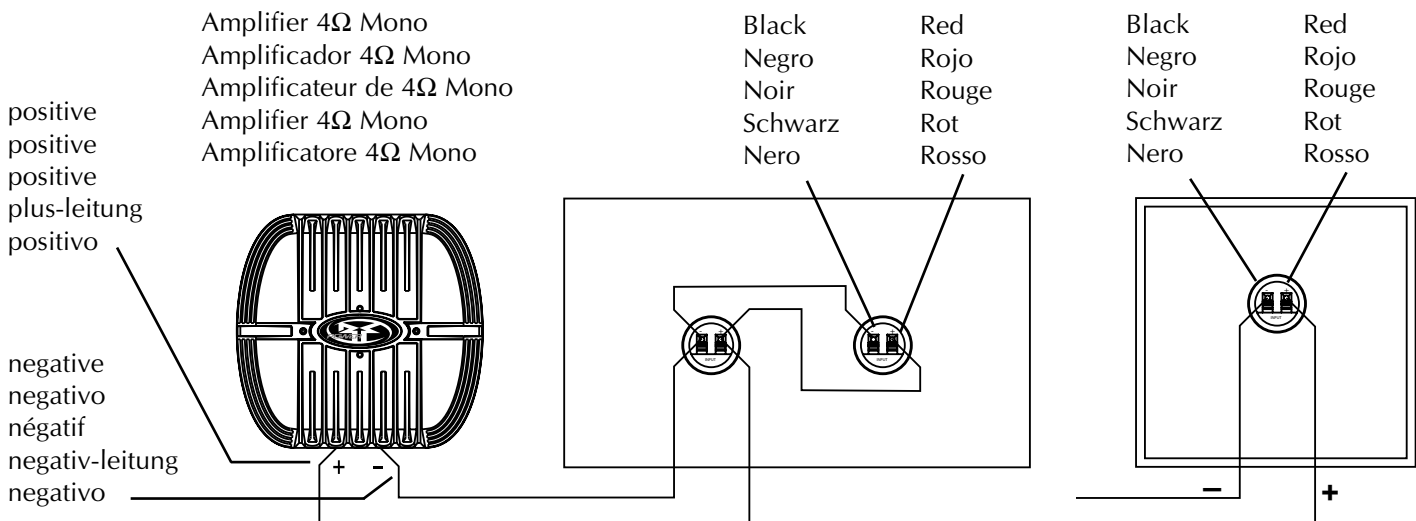
⚠ VORSICHT: Entfernen Sie vor dem Einbau den negative Batteriepol, um Schäden am Gerät, Feuer bzw. mögliche Verletzungen zu vermeiden.

Anschluß des Lautsprecherkabels. Beim Anschluß des Lautsprecherkabels sollten Sie darauf achten, daß das Kabel keine Fahrzeugstromkabel kreuzt, um Einsteuungen zu verhindern. Die Plus-Leitung des Lautsprecherkabels kommt in die rote Klemme des Terminals, die Negativ-Leitung in die schwarze Klemme des Terminals.

INSTALLATION – ITALIANO

⚠ ATTENZIONE: Prima dell'installazione, scollegate il terminale negativo (-) della batteria per evitare danni all'unità, pericoli d'incendio e/o potenziali lesioni personali.

Far correre il cavo dell'altoparlante all'amplificatore. Quando fate correre il cavo dell'altoparlante all'amplificatore non fatelo passare vicino a qualsiasi cavo dell'impianto elettrico di serie dell'auto. Il segnale positivo dell'altoparlante (+) in uscita dall'amplificatore è collegato al terminale rosso del diffusore, e il negativo (-) al terminale nero.



Enclosure Features

- **Input Terminal Cup** – The input terminal cup provides quick and easy connection of the enclosure to the amplifier.
- **Small Sealed Enclosure** – The design of the subwoofer enclosures are small acoustic suspension systems that offer great low frequency reproduction while occupying a minimal amount of space.
- **Vented Enclosure** – The single woofer designs feature a ported configuration for improved performance

Speaker Features

- **Aluminum Voice Coil Former** – Improves thermal power handling by efficiently dissipating heat away from the voice coil.
- **Hyper-Extended Pole Piece** – Lowers distortion and provides better low frequency response by operating the voice coil in a very linear fashion throughout its travel in the magnetic field.
- **Vented Bumped Back Plate** – Allows more excursion by allowing the speaker to travel farther without bottoming out and increases power handling by circulating cool air around the voice coil assembly.

SPECIFICATIONS

RFB 3081 (Single 8" vented enclosure)

Frequency Response ... 37Hz - 400Hz
Nominal Impedance ... 4Ω
Power Handling (Watts RMS/Peak) ... 200W/400W
Internal Box Volume (ft³/liter) ... 0.60 (16.99L)
Overall Dimensions ... 10"H x 30"W x 8.50"D
... (25.40cm x 76.20cm x 21.59cm)

RFB 3101 (Single 10" vented enclosure)

Frequency Response ... 35Hz - 400Hz
Nominal Impedance ... 4Ω
Power Handling (Watts RMS/Peak) ... 200W/400W
Internal Box Volume (ft³/liter) ... 1.00 (28.32L)
Overall Dimensions ... 12"H x 26"W x 11.375"D
... (30.48cm x 66.04cm x 28.89cm)

RFB 3121 (Single 12" vented enclosure)

Frequency Response ... 35Hz - 400Hz
Nominal Impedance ... 4Ω
Power Handling (Watts RMS/Peak) ... 200W/400W
Internal Box Volume (ft³/liter) ... 2.20 (62.30L)
Overall Dimensions ... 14"H x 34"W x 13.875"D
... (35.56cm x 86.36cm x 35.24cm)

RFB 3082 (Dual 8" subwoofer enclosure)

Frequency Response ... 40Hz - 400Hz
Nominal Impedance ... 4Ω (2 x 8Ω)
Power Handling (Watts RMS/Peak) ... 400W/800W
Internal Box Volume (ft³/liter) ... 0.66 (18.69L)
Overall Dimensions ... 10"H x 20"W x 11.375"D
... (25.40cm x 50.80cm x 29.89cm)

RFB 3102 (Dual 10" subwoofer enclosure)

Frequency Response ... 35Hz - 400Hz
Nominal Impedance ... 4Ω (2 x 8Ω)
Power Handling (Watts RMS/Peak) ... 400W/800W
Internal Box Volume (ft³/liter) ... 1.50 (42.48L)
Overall Dimensions ... 12"H x 24"W x 15.25"D
... (30.48cm x 60.96cm x 38.74cm)

RFB 3122 (Dual 12" subwoofer enclosure)

Frequency Response ... 30Hz - 400Hz
Nominal Impedance ... 4Ω (2 x 8Ω)
Power Handling (Watts RMS/Peak) ... 400W/800W
Internal Box Volume (ft³/liter) ... 2.50 (70.80L)
Overall Dimensions ... 14"H x 28"W x 18.125"D
... (35.56cm x 71.12cm x 46.04cm)

LIMITED WARRANTY INFORMATION

Rockford Corporation offers a limited warranty on Rockford Fosgate products on the following terms:

Length of Warranty

- 3 years on electronics 90 days on electronic B-stock (receipt required)
- 1 year on source units 90 days on speaker B-stock (receipt required)
- 1 year on speakers (NOT entire enclosure)

What is Covered

This warranty applies only to Rockford Fosgate products sold to consumers by Authorized Rockford Fosgate Dealers in the United States of America or its possessions. Product purchased by consumers from an Authorized Rockford Fosgate Dealer in another country are covered only by that country's Distributor and not by Rockford Corporation.

Who is Covered

This warranty covers only the original purchaser of Rockford product purchased from an Authorized Rockford Fosgate Dealer in the United States. In order to receive service, the purchaser must provide Rockford with a copy of the receipt stating the customer name, dealer name, product purchased and date of purchase.

Products found to be defective during the warranty period will be repaired or replaced (with a product deemed to be equivalent) at Rockford's discretion.

What is Not Covered

1. Damage caused by accident, abuse, improper operations, water, theft
2. Any cost or expense related to the removal or reinstallation of product
3. Service performed by anyone other than Rockford or an Authorized Rockford Fosgate Service Center
4. Any product which has had the serial number defaced, altered, or removed
5. Subsequent damage to other components
6. Any product purchased outside the U.S.
7. Any product not purchased from an Authorized Rockford Fosgate Dealer

Limit on Implied Warranties

Any implied warranties including warranties of fitness for use and merchantability are limited in duration to the period of the express warranty set forth above. Some states do not allow limitations on the length of an implied warranty, so this limitation may not apply. No person is authorized to assume for Rockford Fosgate any other liability in connection with the sale of the product.

How to Obtain Service

Please call 1-800-669-9899 for Rockford Customer Service. You must obtain an RA# (Return Authorization number) to return any product to Rockford Fosgate. You are responsible for shipment of product to Rockford.

Ship to: **Electronics**
Rockford Corporation
Warranty Repair Department
2055 E. 5th Street
Tempe, AZ 85281
RA#: _____

Ship to: **Speakers**
Rockford Acoustic Design
Speaker Returns
2356 Turner Ave. NW
Grand Rapids, MI 49544
RA#: _____

Rockford Fosgate

Rockford Corporation
546 South Rockford Drive
Tempe, Arizona 85281 U.S.A.
In U.S.A., (602) 967-3565
In Europe, Fax (49) 850-3934-014
In Japan, Fax (81) 559-79-1265
www.rockfordfosgate.com